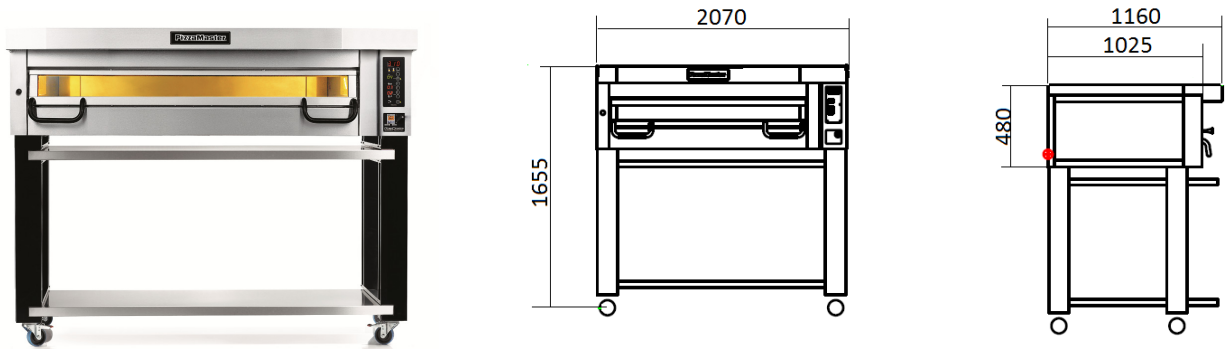




PM 841 ED



TECHNICAL INFORMATION

| | |
|------------------------------------|--|
| Category | 800 Series (optimizes for pizzas up to 16 in) |
| Type | Free Standing |
| Construction | Stainless steel front |
| Colour | Classic Silver (Standard), Royal Gold (option), Phantom Black (Option) |
| Max. working temperature | 400 ⁰ C, 500 ⁰ C (Option) |
| Weight (kg) | 355 |
| External Dimensions W x D x H (mm) | 2070 x 1025 x 480 |
| Internal Dimensions W x D x H (mm) | 1640 x 820 x 210 / 245 (Option) |
| Decks (special clay hearthstone) | 1 |
| Power connection | 3 Phase, 400V, 50Hz, |
| Power consumption (kw) | 17 |
| Rated current (A) | 25 |
| Capacity (pizzas per deck) 10 in | 18 |
| Capacity (pizzas per deck) 14 in | 9 |
| Capacity (pizzas per deck) 16 in | 8 |
| Capacity (pizzas per deck) 18 in | 5 |
| Digital control panel | Standard |
| Timer with manual shut-off alarm | Standard |
| Auto-Timer with alarm | Standard |
| Turbo start function | Standard |
| Legs with lockable castors | Standard |
| Stainless steel retractable shelf | Standard |

