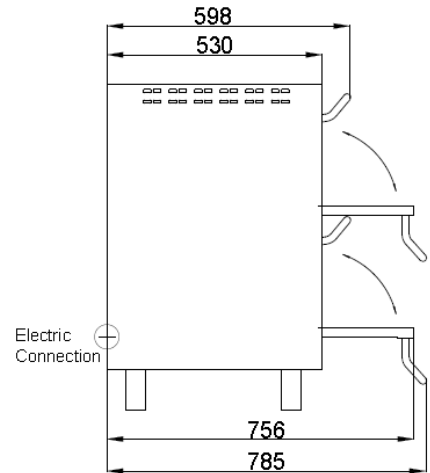
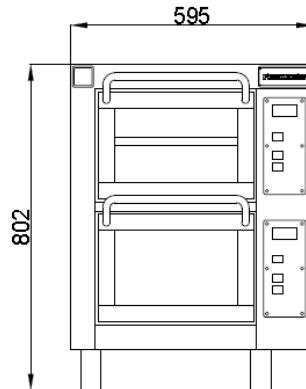




PM 352 ED-1



TECHNICAL INFORMATION

Category	350 Series Standard width
Type	CounterTop
Construction	Stainless steel front
Colour	Classic Silver (Standard), Royal Gold (option), Phantom Black (Option)
Max. working temperature	400 ⁰ C, 500 ⁰ C (Option)
Weight (kg)	70
External Dimensions W x D x H (mm)	595 x 545 x 800
Internal Dimensions (per hearthstone) W x D x H (mm)	355 x 355 x 85 / 355 x 355 x 195
Separate decks per oven	2
Hearthstones per oven	3
Power connection	3 Phase, 400V, 50Hz, or 1 Phase, 230V 50Hz
Power consumption (kw)	5.60
Rated current 3 Phase (A)	10
Rated current 1 Phase (A)	25
Digital display	Standard
Legs	Standard
Timer with manual shut-off alarm	Standard
Turbo start function	Standard
Auto-Timer with alarm	Standard

