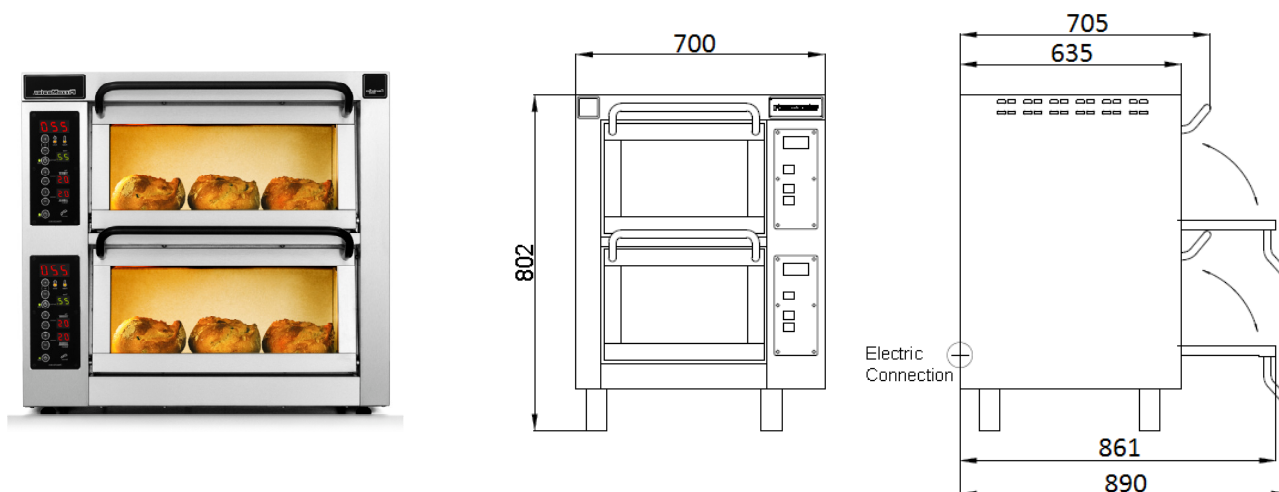




## PM 452 ED



### TECHNICAL INFORMATION

Category	450 Series Standard width
Type	CounterTop
Construction	Stainless steel front
Colour	Classic Silver (Standard), Royal Gold (option), Phantom Black (Option)
Max. working temperature	400 <sup>0</sup> C, 500 <sup>0</sup> C (Option)
Weight (kg)	109
External Dimensions W x D x H (mm)	700 x 650 x 800
Internal Dimensions (per hearthstone) W x D x H (mm)	460 x 460 x 190
Separate decks per oven	2
Hearthstones per oven	2
Power connection	3 Phase, 400V, 50Hz, or 1 Phase, 230V 50Hz
Power consumption (kw)	7.26
Rated current 3 Phase (A)	20
Rated current 1 Phase (A)	32
Digital display	Standard
Legs with lockable castors	Standard
Timer with manual shut-off alarm	Standard
Turbo start function	Standard
Auto-Timer with alarm	Standard

For detailed information about available options please refer to [www.skanos.com.au](http://www.skanos.com.au)