

EFFECT · Kettle 250L



POWER

38 kW

DIMENSIONS

1589×1100×2000 mm

CAPACITY

250 L

WEIGHT

300 kg

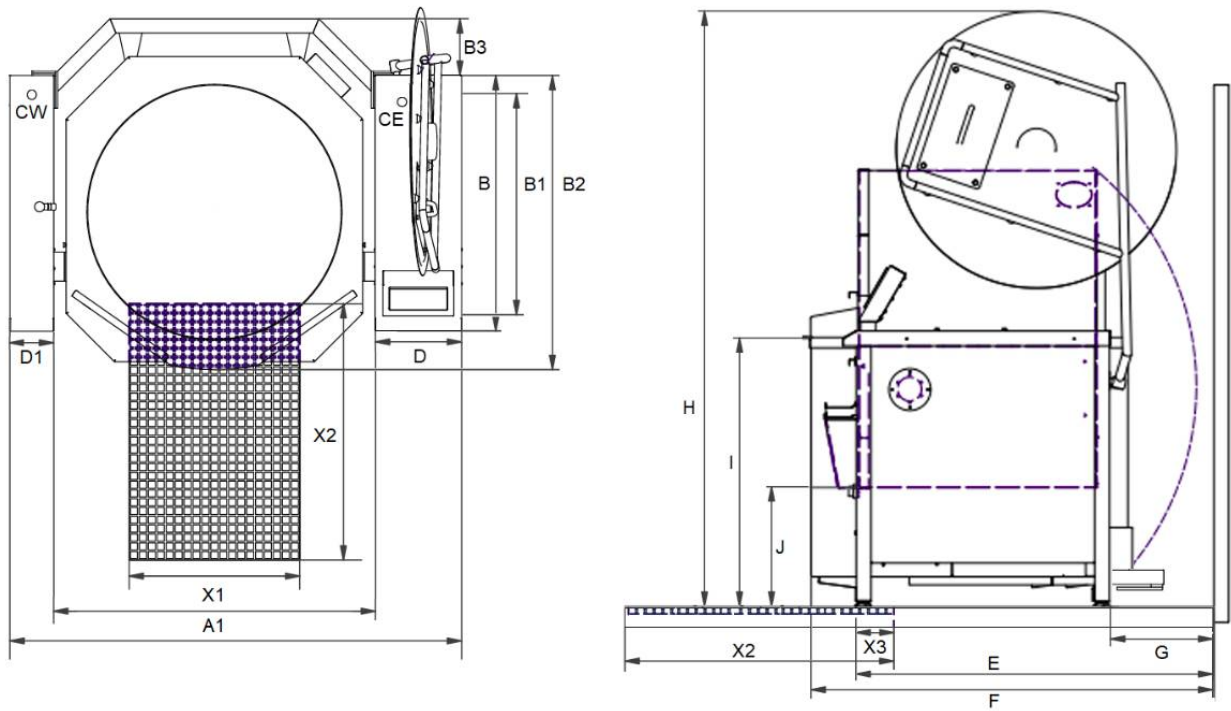
Why NORQi Kettle?

- Fast heating 20–200°C
- Digital touch panel with precise 1-degree control
- Gentle simmering function for delicate ingredients
- Tilt height 400 mm — compact and ergonomic
- Automatic water filling
- Energy-efficient heating with heating elements

Technical specifications

Article number	700250
Capacity (L)	250 L
Voltage (V)	3×400V+N+PE
Frequency (Hz)	50/60
Power (kW)	38 kW
Current L1/L2/L3 (A)	L1: 62 A / L2: 62 A / L3: 62 A
Noise level (dBa)	<70
Regulation	Digital touch panel
IP class	IP X5
Weight (kg)	300 kg

Dimension drawing



All dimensions in mm

Dim	mm
A	1589
A1	1139
B	850
B1	750
B2	1100
B3	—
D	300
D1	150
G	—

Dim	mm
H	2000
I	900
J	400
X1	600
X2	900
X3	100
E	—
F	—

Accessories

- Extra support / 2 kettles on one pillar
- Funnel for inspection port
- Tool trolley for 2 kettles
- Measuring rod 75L
- Measuring rod 100L
- Measuring rod 125L
- Measuring rod 150L
- Measuring rod 200L
- Measuring rod 250L

Detailed accessory information available at norqi.dk

Accessories

- Measuring rod 300L
- Measuring rod 400L
- Measuring rod 500L
- 230V power outlet Schuko
- 230V power outlet CEE
- Water gun (2 metre hose)
- LED light on lid
- Canteen holder / GN shelf
- 2" butterfly valve
- 3" butterfly valve
- 2" ball valve
- 3" ball valve
- 230V power outlet with splash guard
- Marine voltage 3x400V+PE
- Castors for kettle (max. 200L), 4 pcs.
- Floor enclosure — BASIC kettle
- Air curtain for kettle
- Floor mounting kit

Detailed accessory information available at norqi.dk