

EFFECTMIX · Kettle 150L



POWER

21 kW

DIMENSIONS

1389×1100×1800 mm

CAPACITY

150 L

WEIGHT

250 kg

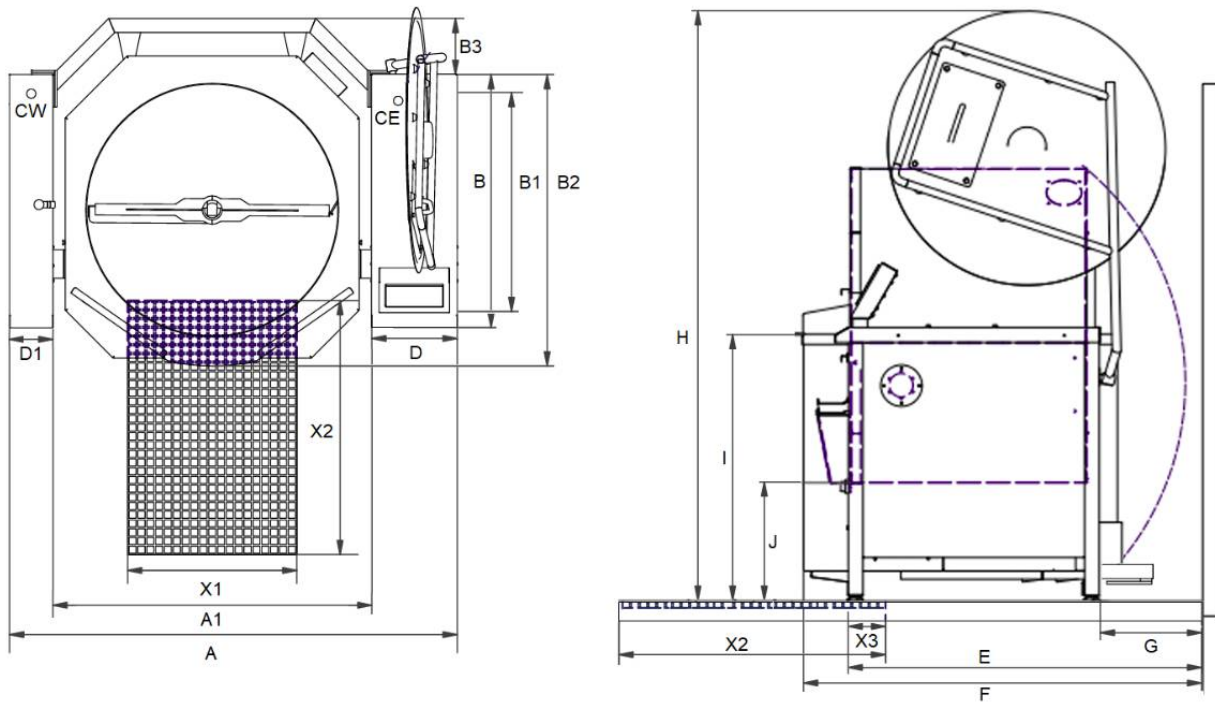
Why NORQi Kettle?

- Fast heating 20–200°C with stirrer
- 9 individually adjustable stirring patterns
- Digital touch panel with precise 1-degree control
- Tilt height 400 mm — compact and ergonomic
- Programmable for fixed recipes
- Automatic water filling

Technical specifications

Article number	705150
Capacity (L)	150 L
Voltage (V)	3×400V+N+PE
Frequency (Hz)	50/60
Power (kW)	21 kW
Current L1/L2/L3 (A)	L1: 32 A / L2: 32 A / L3: 47 A
Noise level (dBa)	<70
Regulation	Digital touch panel
IP class	IP X5
Weight (kg)	250 kg

Dimension drawing



All dimensions in mm

Dim	mm
A	1389
A1	939
B	850
B1	750
B2	1100
B3	—
D	300
D1	150
G	—

Dim	mm
H	1800
I	900
J	400
X1	600
X2	900
X3	100
E	—
F	—

Accessories

- Strainer plate 150L
- SlowMix — active stirrer with open lid (20 rpm)
- Water gun (2 metre hose)
- Whisk tool 150L
- Sous vide basket 150L
- 2" butterfly valve
- Foot pedal for SlowMix or tilt
- LED light on lid
- Canteen holder / GN shelf

Detailed accessory information available at norqi.dk

Accessories

- Pouring plate 150L
- 3" butterfly valve
- 2" ball valve
- 3" ball valve
- 230V power outlet with splash guard
- Marine voltage 3x400V+PE
- Castors for kettle (max. 200L), 4 pcs.
- Floor enclosure — BASIC kettle
- Cleaning tool 150L
- Air curtain for kettle
- Floor mounting kit

Detailed accessory information available at norqi.dk