

# EFFECTMIX · Kettle 125L



## POWER

**20 kW**

## DIMENSIONS

**1289×1100×1750 mm**

## CAPACITY

**125 L**

## WEIGHT

**225 kg**

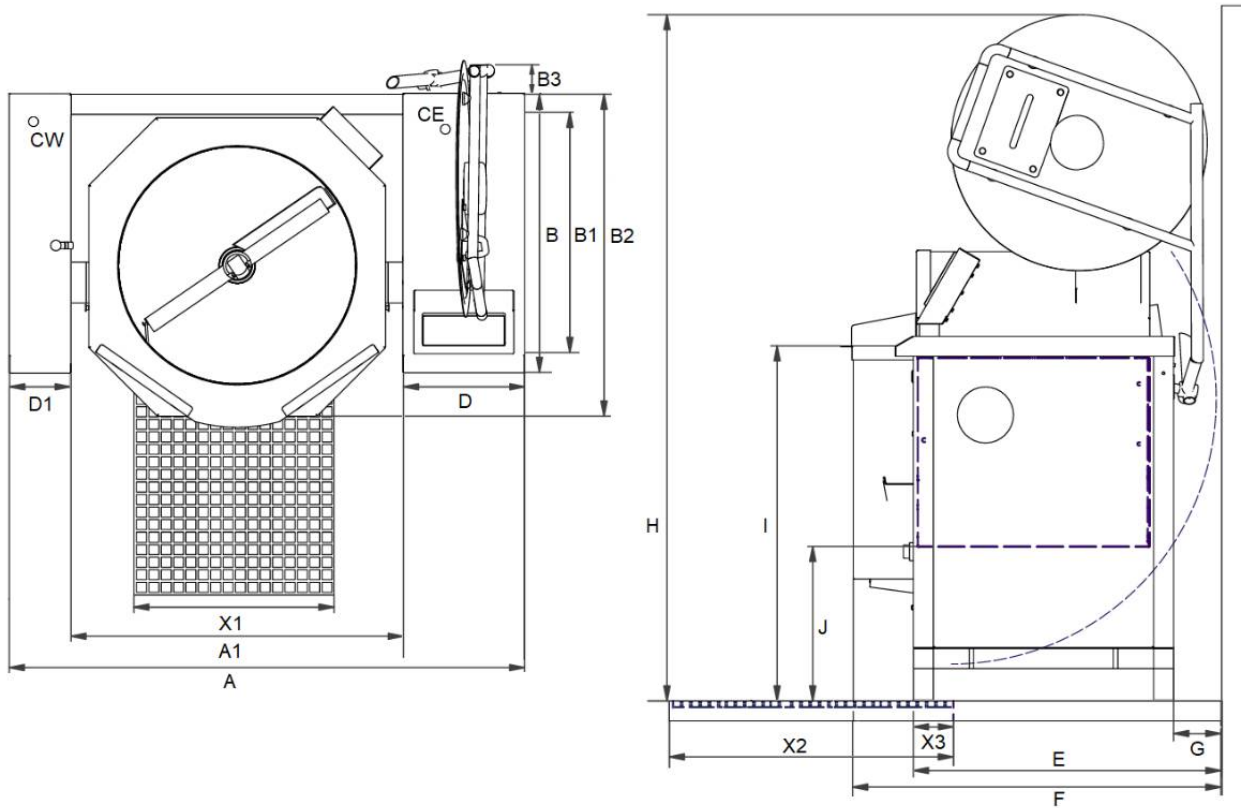
## Why NORQi Kettle?

- Fast heating 20–200°C with stirrer
- 9 individually adjustable stirring patterns
- Digital touch panel with precise 1-degree control
- Tilt height 400 mm — compact and ergonomic
- Programmable for fixed recipes
- Automatic water filling

## Technical specifications

Article number	705125
Capacity (L)	125 L
Voltage (V)	3×400V+N+PE
Frequency (Hz)	50/60
Power (kW)	20 kW
Current L1/L2/L3 (A)	L1: 29 A / L2: 29 A / L3: 38 A
Noise level (dBa)	<70
Regulation	Digital touch panel
IP class	IP X5
Weight (kg)	225 kg

# Dimension drawing



All dimensions in mm

Dim	mm	Dim	mm
A	1289	H	1750
A1	839	I	900
B	850	J	400
B1	750	X1	500
B2	1100	X2	700
B3	—	X3	100
D	300	E	—
D1	150	F	—
G	—		

## Accessories

- Sous vide basket 125L
- SlowMix — active stirrer with open lid (20 rpm)
- Water gun (2 metre hose)
- Whisk tool 125L
- Cleaning tool 125L
- 2" butterfly valve

Detailed accessory information available at [norqi.dk](http://norqi.dk)

## Accessories

- Pouring plate 75–125L
- Foot pedal for SlowMix or tilt
- LED light on lid
- Canteen holder / GN shelf
- 3" butterfly valve
- 2" ball valve
- 3" ball valve
- 230V power outlet with splash guard
- Marine voltage 3x400V+PE
- Castors for kettle (max. 200L), 4 pcs.
- Floor enclosure — BASIC kettle
- Air curtain for kettle
- Floor mounting kit
- Strainer plate 75–125L

Detailed accessory information available at [norqi.dk](http://norqi.dk)