

EFFECTMIX · Kettle 100L



POWER

20 kW

DIMENSIONS

1289×900×1750 mm

CAPACITY

100 L

WEIGHT

210 kg

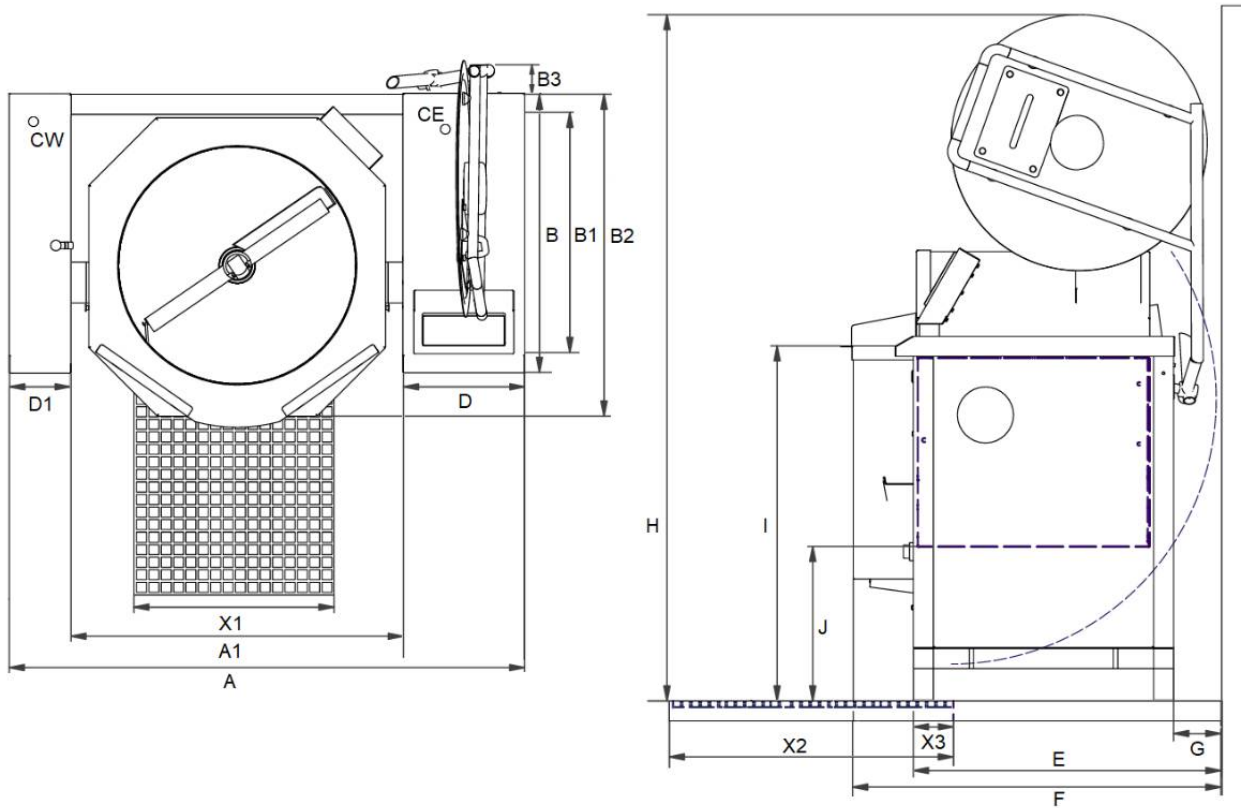
Why NORQi Kettle?

- Fast heating 20–200°C with stirrer
- 9 individually adjustable stirring patterns
- Digital touch panel with precise 1-degree control
- Tilt height 400 mm — compact and ergonomic
- Programmable for fixed recipes
- Automatic water filling

Technical specifications

Article number	705100
Capacity (L)	100 L
Voltage (V)	3×400V+N+PE
Frequency (Hz)	50/60
Power (kW)	20 kW
Current L1/L2/L3 (A)	L1: 29 A / L2: 29 A / L3: 38 A
Noise level (dBa)	<70
Regulation	Digital touch panel
IP class	IP X5
Weight (kg)	210 kg

Dimension drawing



All dimensions in mm

Dim	mm	Dim	mm
A	1289	H	1750
A1	839	I	900
B	650	J	400
B1	550	X1	500
B2	900	X2	700
B3	—	X3	100
D	300	E	—
D1	150	F	—
G	—		

Accessories

- Sous vide basket 100L
- SlowMix — active stirrer with open lid (20 rpm)
- Water gun (2 metre hose)
- Whisk tool 100L
- Cleaning tool 100L
- 2" butterfly valve

Detailed accessory information available at norqi.dk

Accessories

- Pouring plate 75–125L
- Foot pedal for SlowMix or tilt
- LED light on lid
- Canteen holder / GN shelf
- 3" butterfly valve
- 2" ball valve
- 3" ball valve
- 230V power outlet with splash guard
- Marine voltage 3x400V+PE
- Castors for kettle (max. 200L), 4 pcs.
- Floor enclosure — BASIC kettle
- Air curtain for kettle
- Floor mounting kit
- Strainer plate 75–125L

Detailed accessory information available at norqi.dk