

EFFECTMIX · Kettle 50L



POWER

20 kW

DIMENSIONS

1289×900×1750 mm

CAPACITY

50 L

WEIGHT

200 kg

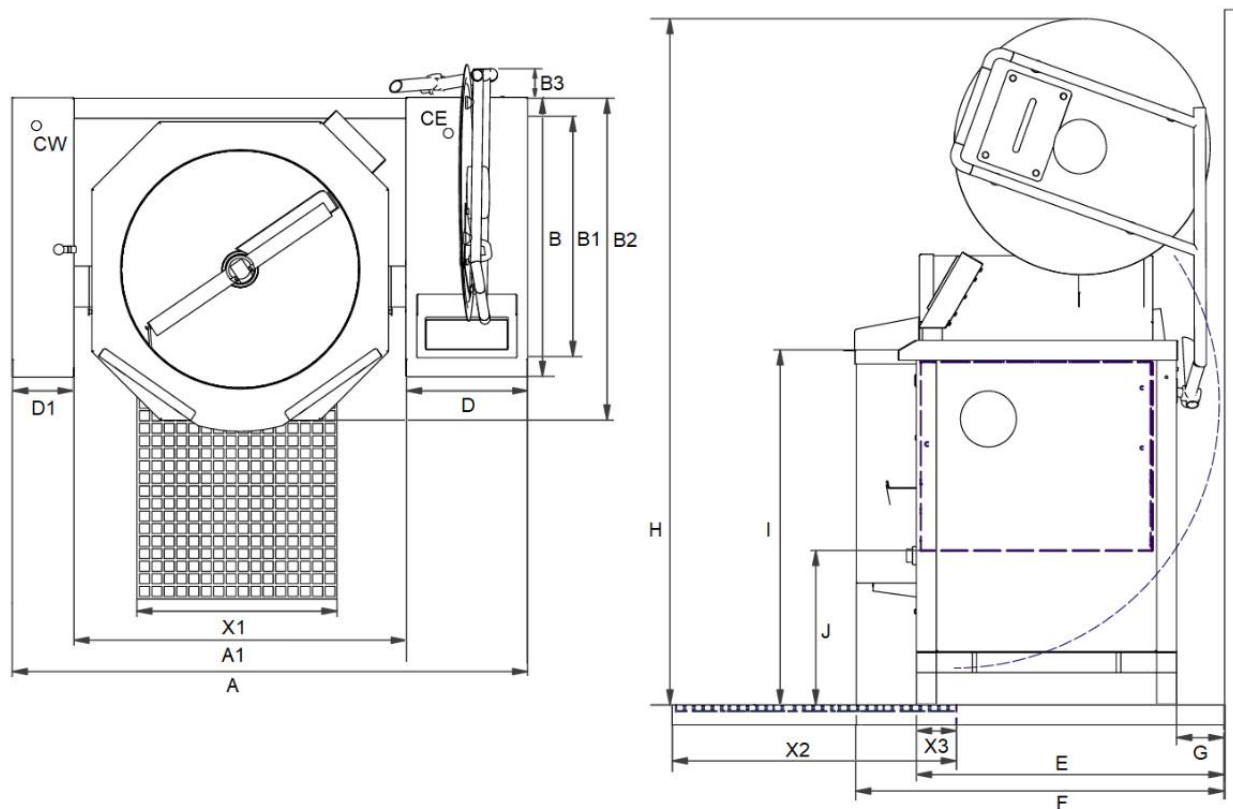
Why NORQi Kettle?

- Fast heating 20–200°C with stirrer
- 9 individually adjustable stirring patterns
- Digital touch panel with precise 1-degree control
- Tilt height 400 mm — compact and ergonomic
- Programmable for fixed recipes
- Automatic water filling

Technical specifications

Article number	705050
Capacity (L)	50 L
Voltage (V)	3×400V+N+PE
Frequency (Hz)	50/60
Power (kW)	20 kW
Current L1/L2/L3 (A)	L1: 29 A / L2: 29 A / L3: 38 A
Noise level (dBa)	<70
Regulation	Digital touch panel
IP class	IP X5
Weight (kg)	200 kg

Dimension drawing



All dimensions in mm

Dim	mm	Dim	mm
A	1289	H	1750
A1	839	I	900
B	650	J	400
B1	550	X1	500
B2	900	X2	700
B3	—	X3	100
D	300	E	—
D1	150	F	—
G	—		

Accessories

- Air curtain for kettle
- Floor mounting kit
- Strainer plate 75–125L
- Pouring plate 75–125L
- SlowMix — active stirrer with open lid (20 rpm)
- Water gun (2 metre hose)

Detailed accessory information available at norqi.dk

Accessories

- Wheels
- 230V socket
- Floor shield
- Marine voltage 3x400V+PE
- Foot pedal for SlowMix or tilt
- LED light on lid
- Canteen holder / GN shelf

Detailed accessory information available at norqi.dk

The information in this datasheet is for guidance only. NORQi ApS reserves the right to make technical changes without notice. All specifications must be verified by an authorised installer prior to installation. NORQi ApS accepts no liability for errors or omissions in this datasheet.