

# MULTIMAX

Combi steamer, electric, left/right-hinged

6-11, 10-11



## HIGHLIGHTS

- **Vario hanging rack**  
More capacity, resource-saving. Can be used flexibly for both GN and BN accessories.
- **Eco Steam**  
More power with significantly less consumption. Energy-optimised and water-saving.
- **Power Steam**  
The powerful function for demanding food.
- **LED and double glazing**  
Lower power consumption, more environmentally friendly and longer service life.
- **autoclean® PRO (optional)**  
Water-saving, fewer chemicals in use, more flexibility.

## MULTIMAX – combi steamer, electric, left/right-hinged- 6-11, 10-11

### Device data

	Type	6-11	10-11
Material		1.4301	1.4301
Design module		according to DIN 18866	according to DIN 18866
Protection class		IPX5	IPX5
<b>Device dimensions</b>			
Hinge left/right (WxDxH) [mm]		925 x 810 x 840	925 x 810 x 1120
<b>Weights</b>			
Electrical device [kg]		117	146
Gas device [kg]		127	156
Packaging [kg]		35	38
<b>Capacity</b>			
Number of inserts		7 x GN 1/1	11 x GN 1/1
Cavity volume [l]		268	398
Insert spacing [mm]		67	67

### Electrical connection

	Type	6-11	10-11
<b>Voltage 200 V – 240 V 3 AC</b>			
Power requirement [kW]		8.6 – 12.1	17.0 – 24.2
Rated current [A]		37.4 – 52.7	74.0 – 105.3
Fuse protection		3 x 35 A	3 x 63 A
Residual-current circuit breaker		Type B	Type B
Tripping current [mA]		30	30
<b>Voltage 380 – 415 V 3 NAC</b>			
Power requirement [kW]		10.2 – 12.0	15.6 – 18.5
Rated current [A]		24.8 – 29.5	39.0 – 46.3
Fuse protection		3 x 20 A (3 x 16 A)	3 x 35 A (3 x 25 A)
Residual-current circuit breaker		Type B	Type B
Tripping current [mA]		30	30
Minimum cross section for connection [mm <sup>2</sup> ]		3x 1.5	3 x 1.5

## MULTIMAX – combi steamer, electric, left/right-hinged- 6-11, 10-11

### Heat emission, noise emission

	Type	6-11	10-11
Heat, latent [MJ/h (kW)]		3.9 (1.1)	6.1 (1.7)
Heat, sensitive [MJ/h (kW)]		2.8 (0.8)	4.3 (1.2)
Noise emission [dB (A)]		<70	<70

### Setting up

Safety distance [mm]	rear	min. 50
	right	min. 50
	left	min. 50
Minimum clearance [mm]	to combi-steamers, ovens, heating cabinets, etc.	min. 50
	to open flames, hot fat/oil, hot surfaces or similar.	min. 1000

## MULTIMAX – combi steamer, electric, left/right-hinged- 6-11, 10-11

### Water/Waste water

Water supply	
Water supply/dim [A]	2 x G 3/4" A
Flow pressure [bar (kPa)]	2 - 6 (200 - 600)

Waste water connection	
With autoclean® PRO	Permanent connection
Type	DN50 (min. inside dia.: 46 mm) for permanent connection
Drain line gradient [%]	min. 3

Soft water quality	
General requirement:	Drinking water
Total hardness	
[°dH]	≤ 3
[ppm]	70 - 125
[°TH]	7 - 13
[°e]	5 - 9
pH value	7.0 - 8.5
Cl (chlorine) [mg/l]	max. 80
Cl <sub>2</sub> (free chlorine) [mg/l]	max. 0.1
SO <sub>4</sub> <sup>2-</sup> (sulphate) [mg/l]	max. 100
Fe (iron) [mg/l]	max. 0.1
Temperature [°C]	max. 50
electrical conductivity [µS/cm]	20 - 90
Water pressure [bar]	4 (2 - 6)

Hard water quality	
General requirement:	Drinking water
Total hardness	
[°dH]	≤ 14
[ppm]	≤ 250
[°TH]	≤ 25
[°e]	≤ 18

Hard water quality	
<b>Maximum water flow</b>	
<b>Soft water</b>	
With autoclean® PRO	0.3 l/min
Power Steam	1.85 l/min
<b>Hard water</b>	
With autoclean® PRO:	6.8 l/min

### Equipment

## MULTIMAX – combi steamer, electric, left/right-hinged- 6-11, 10-11

### Equipment

- 8 operating modes:
  - Steaming
  - Intensive steaming
  - Vario steaming
  - Convection
  - Combi-cooking
  - Low-temperature cooking
  - Delta-T cooking
  - Regenerating
- Eco Steam
- Power Steam
- Multi-eco system for heat recovery
- Operating unit with touch screen and rotary / push encoder
- USB interface
- Inner and outer housing made of rustproof stainless steel
- IPX 5 (jet water protection)
- Integrated hose with hand shower
- Fresh steam system
- Seamless hygienic cooking chamber
- Adjustable air deflector
- Door with LED lighting and double glazing
- Right-hinged door
- Door latch position 90 °
- Adjustable volume of the signal tone
- Quick-action door closure
- Supply air/exhaust air
- Internal multi-point core temperature probe with 4 measuring points
- Frequency converter
- Changing settings during operation
- Stop Preheat during operation
- Programme list with 99 programs, with 9 steps each:
  - Programme list (alphabetical)
- Special programs:
  - Low-temperature cooking
  - Delta-T cooking
  - Regenerating
- Vario hanging rack for GN and BN accessories
- Water filter monitoring
- Stackable (modular solutions)
- Manual cooking:
  - Temperature, adjustable between 30 °C-300 °C - accurate to the degree
  - Core temperature, adjustable between 20 °C-100 °C - accurate to the degree
  - Humidity range, adjustable between 0 - 100 % - in 5 % and 10 % steps
  - Manual humidification (additional)
  - Time, adjustable up to 24 hours
- Steptronic®
- Step overview
- Active dehumidification
- Fan speed in 5 increments
- Timed fan speeds
- Fan wheel autoreverse
- Preheat function with temperature specification, adjustable
- E/2 Energy saving function
- SPS® - Steam Protection System
- Timer function: Start time entry up to 24 hrs.
- Display of actual/target temperature
- Active-Temp cool-down function (default setting only for autoclean® PRO with solid detergent)
- Cool Down function: Adjustable Manual-Temp
- Cool Down function: Auto-Temp (default setting)
- Cleaning & Care
  - semi-automatic cleaning
  - Drying phase freely selectable (default setting only with autoclean® PRO)
  - The drying phase can be interrupted during the cleaning operations
- Settings & Service:
  - Language setting in 25 languages?
  - Time and date setting
  - Numerical input
  - Data and HACCP logging and display
  - Automated cleaning and maintenance instructions, including blocking
  - Programs and Media Manager:
    - Program manager
    - Sound manager
- Plug-in door seal for easy cleaning and maintenance
- Note: Clean air filter
- Standby after cleaning and 15 min. inactivity (default setting only with autoclean® PRO)

## MULTIMAX – combi steamer, electric, left/right-hinged- 6-11, 10-11

### Device options

- autoclean® PRO with solid detergent
- autoclean® PRO with liquid cleaner
- Left-hinged door
- Safety door latch
- External core temperature probe
- LAN
- WLAN
- Energy optimisation connection (230V) according to DIN 18875
- Special voltages
- Connection of potential-free contact to control third-party appliances (e.g. external extractor hoods)

### Accessories

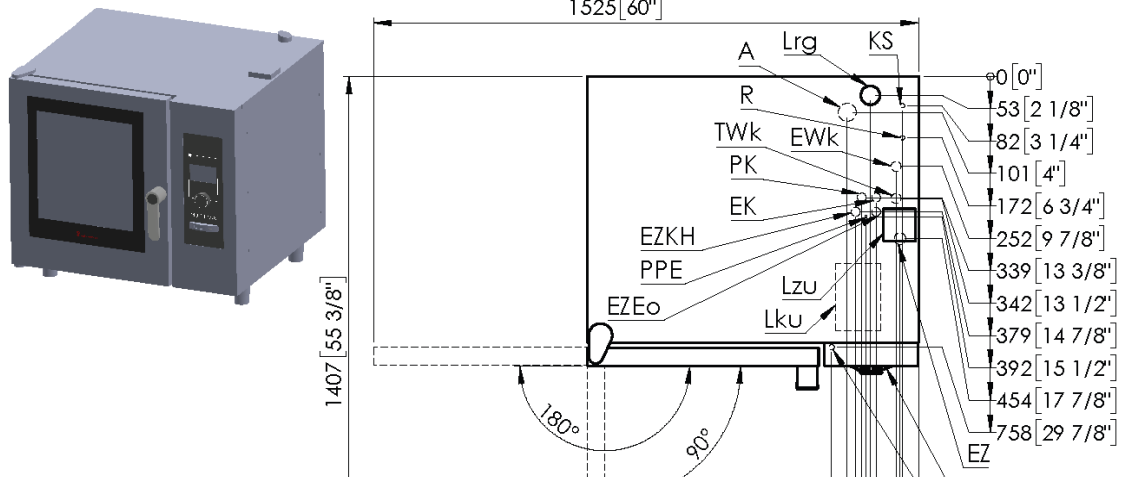
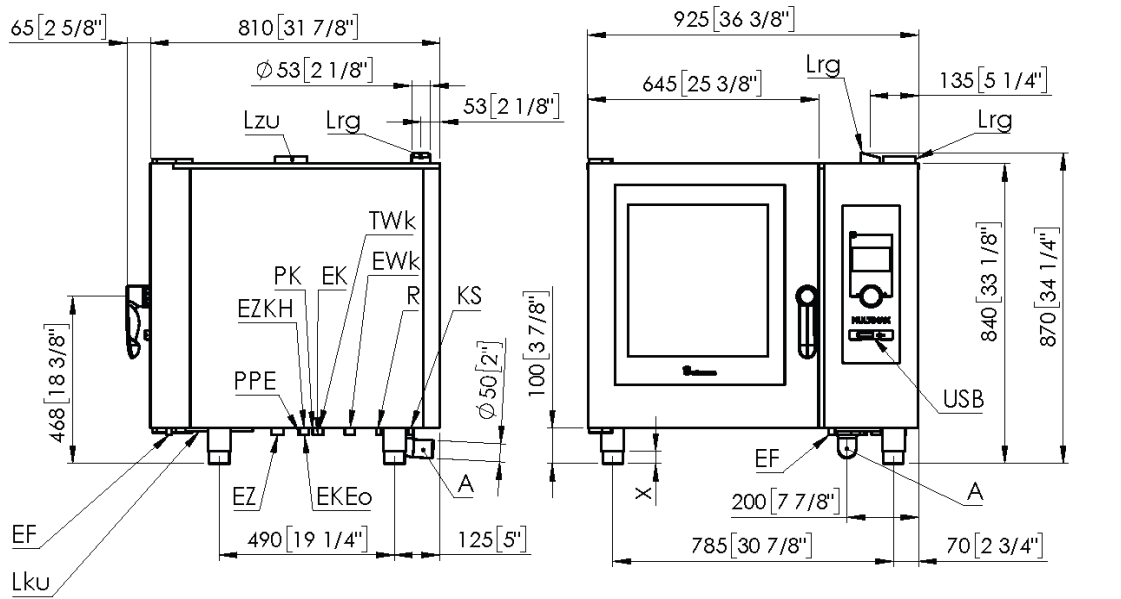
- Multi-Eco condensation hood
- Kombimix kits, base frames and Multi-Eco condensation hoods for Mix stations
- Special hanging racks
- Base frames
- Tray and plate rack trolley
- Various trays, grills and containers
- Smoke Fit smoker unit
- Thermal hoods

### Approvals/test markings



**MULTIMAX – combi steamer, electric, left/right-hinged- 6-11, 10-11**

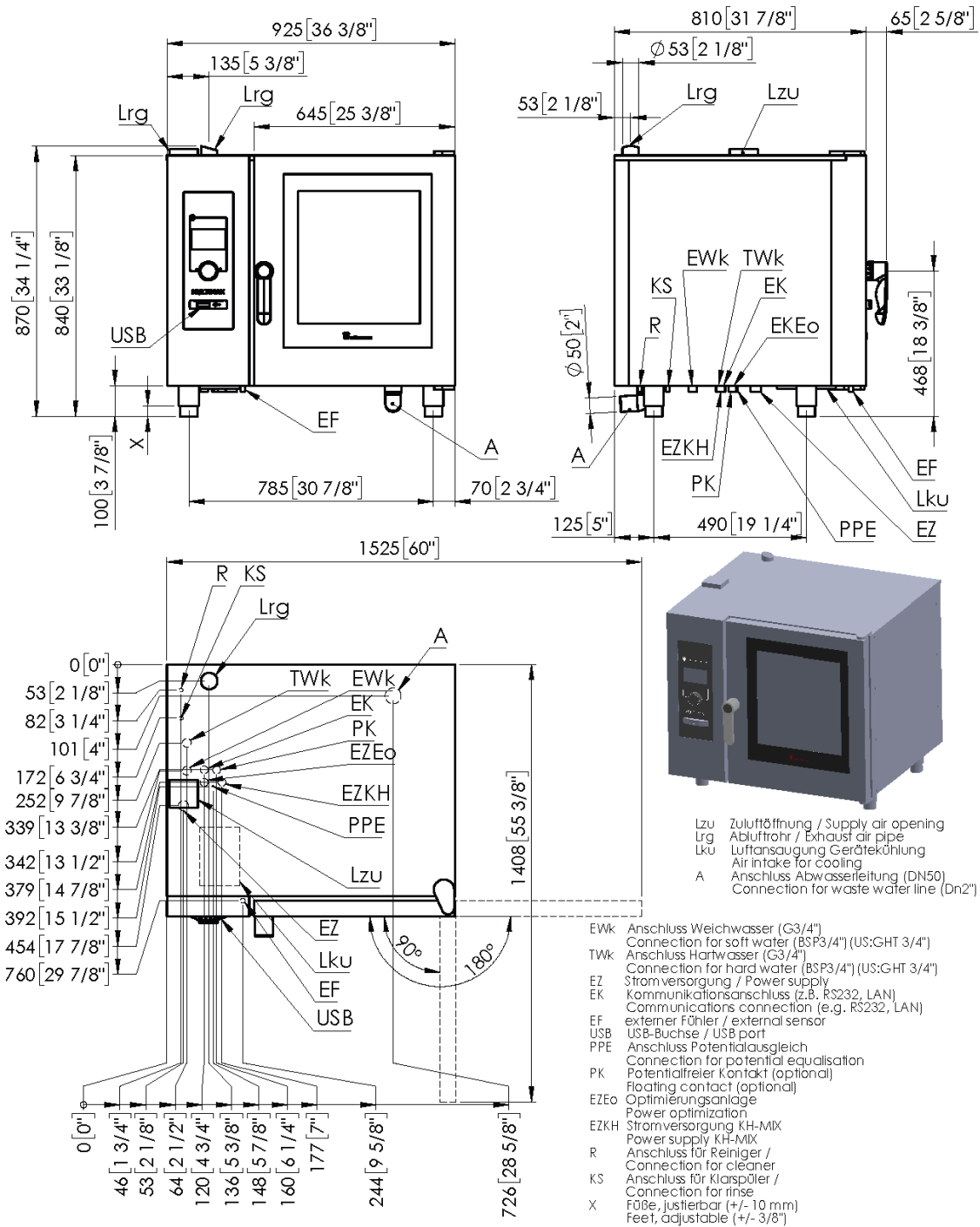
**Dimensioned drawing 6-11, left-hinged door (all dimensions in mm [inches])**



- Lzu Zuluftöffnung / Supply air opening
- Lrg Ablufrohr / Exhaust air pipe
- Lku Luftansaugung Gerätekühlung
- A Air intake for cooling
- A Anschluss Abwasserleitung (DN50)
- EWK Connection for soft water (BSP3/4") (US:GHT 3/4")
- TWK Anschluss Hartwasser (G3/4")
- EZ Stromversorgung / Power supply
- EK Kommunikationsanschluss (z.B. RS232, LAN)
- EF Kommunikationsanschluss (e.g. RS232, LAN)
- EF externer Fühler / external sensor
- USB USB-Buchse / USB port
- PPE Anschluss Potentialausgleich
- PK Potentialfreier Kontakt (optional)
- EZEo Optimierungsanlage
- EZKH Stromversorgung KH-MIX
- R Anschluss für Reiniger /
- KS Connection for cleaner /
- X Anschluss für Klarspüler /
- X F08e, justierbar (+/- 10 mm)
- X Feet, adjustable (+/- 3/8")

MULTIMAX - combi steamer, electric, left/right-hinged- 6-11, 10-11

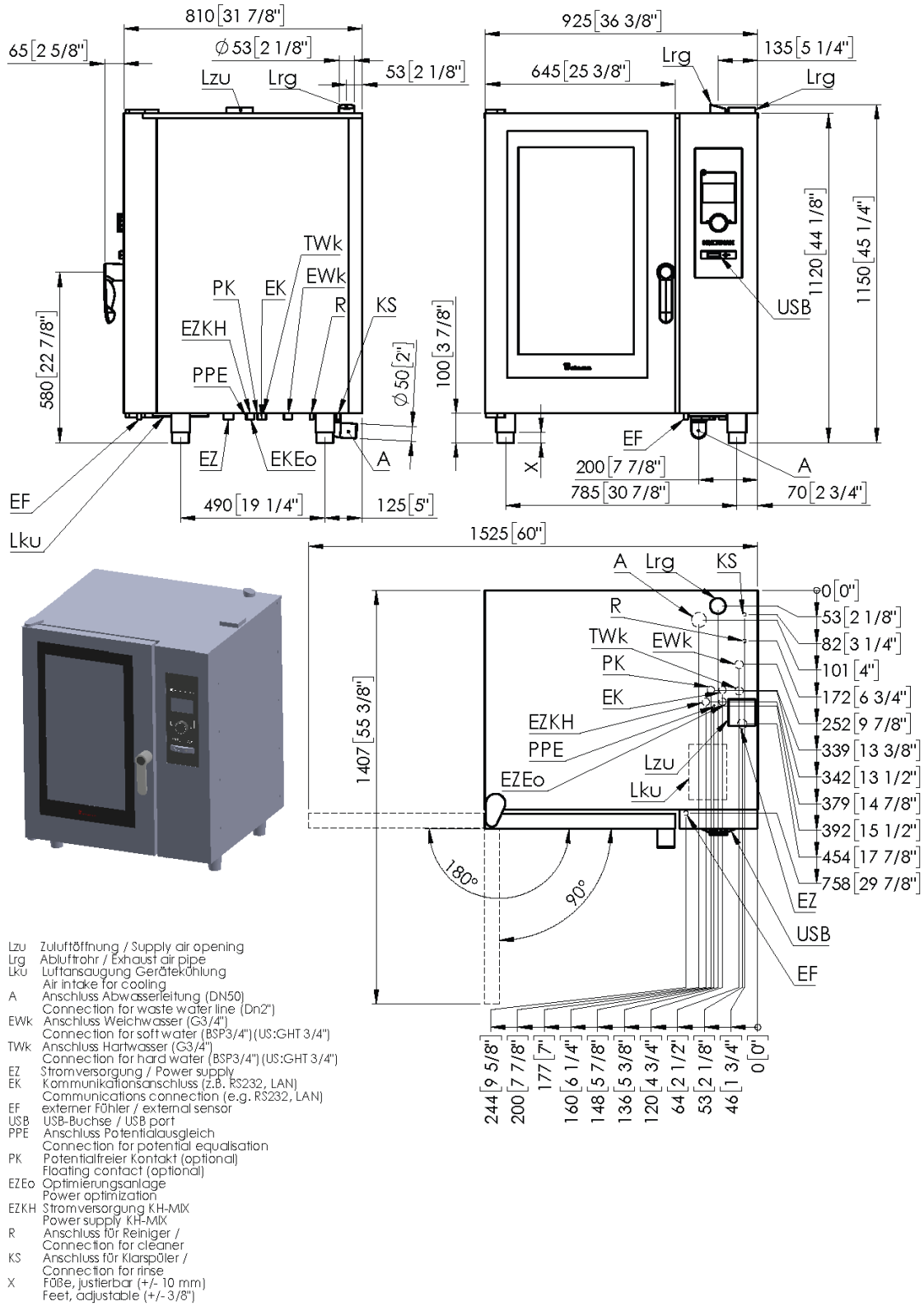
Dimensioned drawing 6-11, right-hinged door (all dimensions in mm [inches])





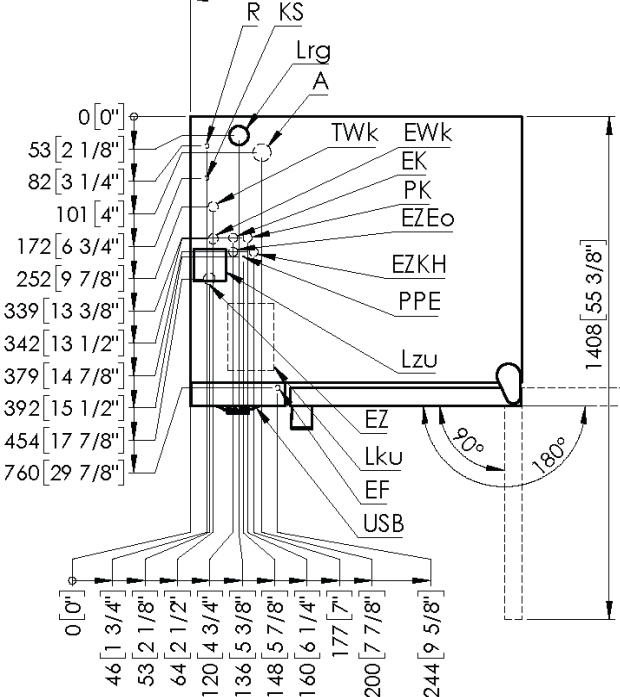
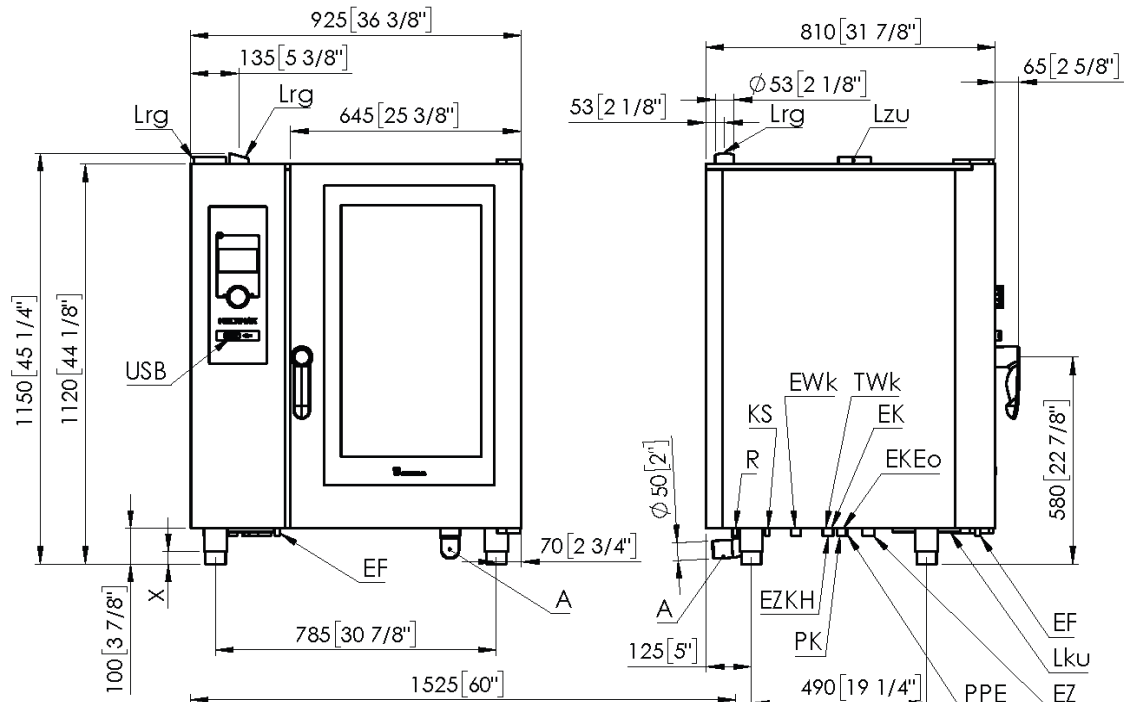
**MULTIMAX - combi steamer, electric, left/right-hinged- 6-11, 10-11**

**Dimensioned drawing 10-11, left-hinged door (all dimensions in mm [inches])**



**MULTIMAX - combi steamer, electric, left/right-hinged- 6-11, 10-11**

**Dimensioned drawing 10-11, right-hinged door (all dimensions in mm [inches])**



- EWk Anschluss Weichwasser (G3/4")  
Connection for soft water (BSP3/4")(US:GHT 3/4")
- TWk Anschluss Hartwasser (G3/4")  
Connection for hard water (BSP3/4")(US:GHT 3/4")
- EZ Stromversorgung / Power supply
- EK Kommunikationsanschluss (z.B. RS232, LAN)
- EKEo Optimierungsanlage  
Power optimization
- EZKH Stromversorgung KH-MIX  
Power supply KH-MIX
- R Anschluss für Reiniger /  
Connection for cleaner
- KS Anschluss für Klarspüler /  
Connection for rinse

- Lzu Zuluftöffnung / Supply air opening
- Lrg Abluftrohr / Exhaust air pipe
- Lku Luftansaugung Gerätekühlung  
Air intake for cooling
- A Anschluss Abwasserleitung (DN50)  
Connection for waste water line (Dn2")
- X FüÙe, justierbar (+/- 10 mm)  
Feet, adjustable (+/- 3/8")

WE AT ELOMA WILL BE HAPPY TO HELP YOU WITH ANY QUESTION RELATING  
TO OUR PRODUCTS

## CUSTOMER SERVICE

---

T. +49 8141 395-188  
F. +49 8141 395-164  
sales@eloma.com

## APPLICATION ADVICE

---

T. +49 8141 395-150  
applications@eloma.com

## TECHNICAL SERVICE

---

T. +49 35023 63-888  
F. +49 8141 359-156  
service@eloma.com



Eloma GmbH • Otto-Hahn-Str. 10 • 82216 Maisach/Germany  
T. +49 8141 395-0 • F. +49 8141 395-130 • sales@eloma.com

an Ali Group Company



The Spirit of Excellence